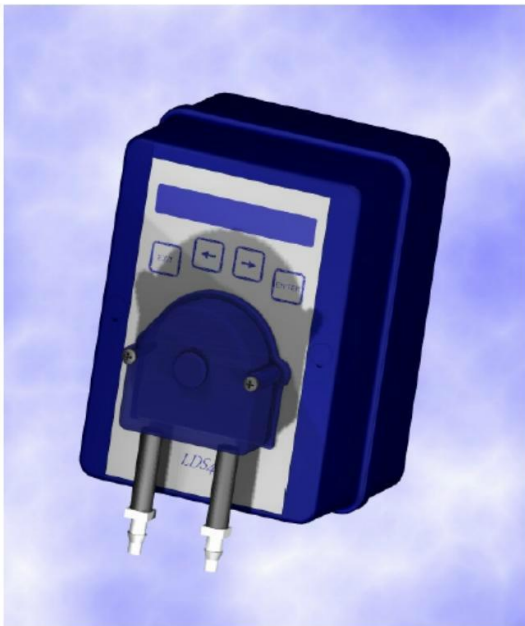


Biogt Auto Dosing Unit - ADU9000

SPESIFIKASI

LDS4 Programmable dosing pump.

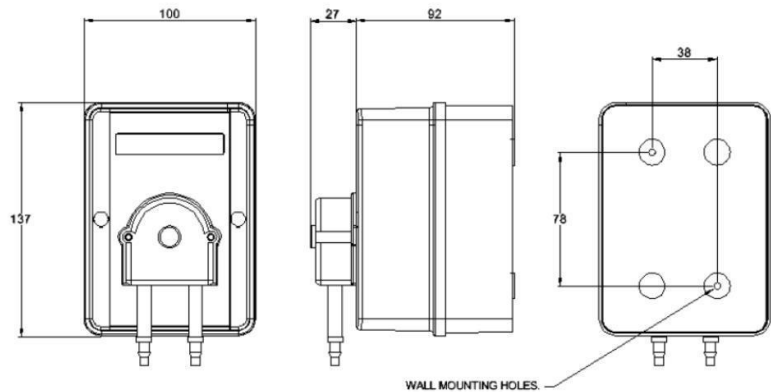
Provisional Specification Sheet 1 (last updated Nov 2011.)



- battery operation.
- 24 hr or 7 day timing functions.
- 28 programmable dose times.
- Standard 200 series mini peristaltic pump head.
- Dose set in ml.
- Calibrate function.
- Battery back up.
- Battery voltage drop compensation for stable pump output.
- Low battery indication.
- 16 Character blue back lit lcd display.
- Settings pass code protected.
- Wall mounting.
- IP 55.
- Small footprint.
- Optional external input & output.
- Optional slave unit for dual dosing.



Optional:
Stainless Steel cabinet
Biogt Dispersant 5 liter (enzymes)



WALL MOUNTING HOLES.